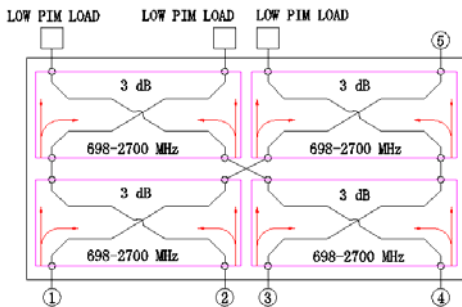


Product Specification Sheet

HC-4x1-0727-43FGH

698-2700MHz 4:1 Hybrid Matrix



Features

- Contain CDMA , GSM, DCS, WCDMA and LTE band
- Low PIM
- High reliability
- Simple installation

Electrical Specifications

Frequency (MHz)	698 - 2700
Return loss(dB) / VSWR all ports	≤-20 / ≤1.22
Insertion loss (dB)	6.0±1.2
Isolation(dB)	23
RF input avg power per port (W)	300 (CW)
Intermodulation (3rd order)	≤ -153dBc @ 2 x 20 W
Impedance (Ω)	50

Mechanical Specifications

Operating temperature range	-30°C to +70°C
Storage temperature range	-40°C to +85°C
Relative humidity (%)	5 - 95%
Barometric pressure	55 KPa -106KPa
Applications	IP65
Connectors type INPUTS/OUTPUTS	4*4.3-10 female/1*4.3-10 female
Weight (Kg)	8
Outer Dimension (mm)	320 x 85 x141mm

Product Specification Sheet

HC-4x1-0727-43FGH

698-2700MHz 4:1 Hybrid Matrix

